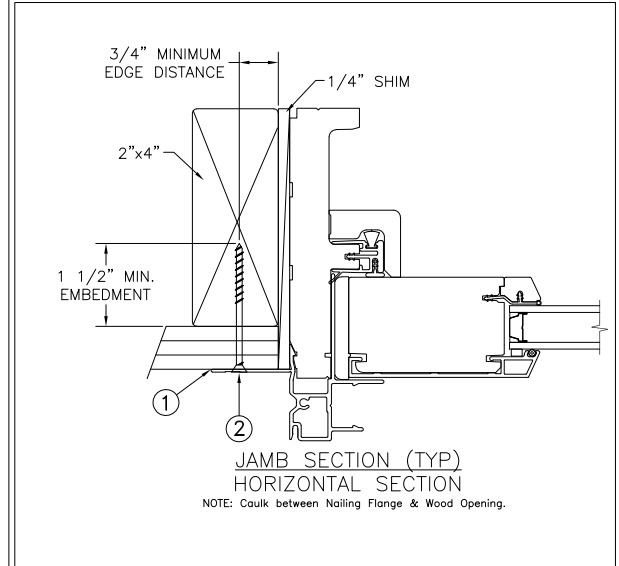
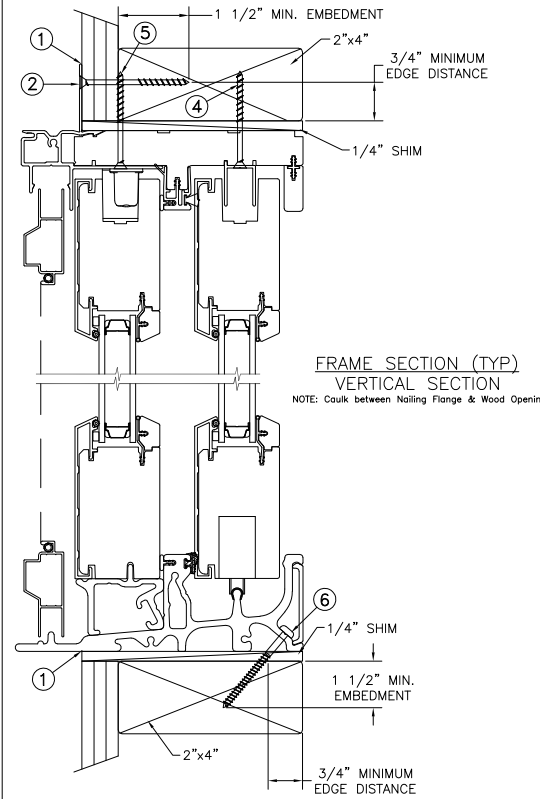
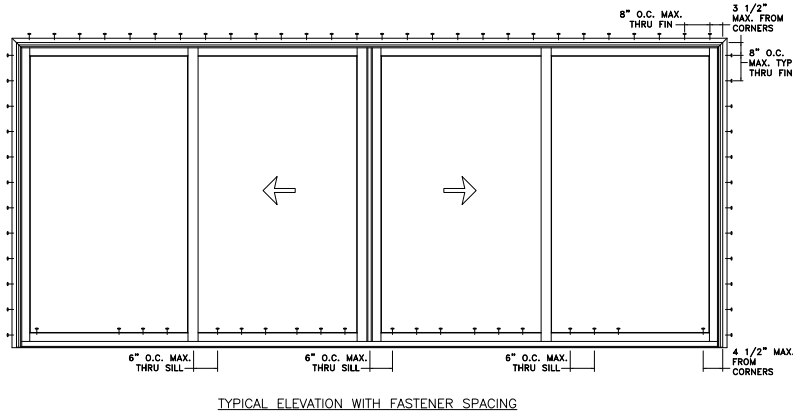


NAIL FIN INSTALLATION



Max Frame	DP	IMPACT
189 3/16\" x 95 1/2\"	+30/-30	NO

Installed Fastener Schedule:

1. Seal flange/frame to substrate.
2. All doors: install corrosion resistant #8 fasteners no more than 4" from each corner and 8" o.c. through the nail fins on all sides of the door. Fasteners must be long enough to penetrate at least 1 1/2" into framing members (Min. S.G. = 0.42).
3. Install corrosion resistant #8 x 3" screws through lock keeper into rough opening.
4. Install corrosion resistant #8 x 2" screws 10" O.C. through panel track into rough opening.
5. Install corrosion resistant 2 - #8 x 2" screws through fixed panel bracket into rough opening.
6. Install corrosion resistant # 8 pan head fasteners in the sill 4 1/2" from each end and 6 screws located at each meeting stile located at 6" O.C. - Total of 20 fasteners. Fasteners must be long enough to penetrate at least 1 1/2" into framing members (Min. S.G. = 0.42).

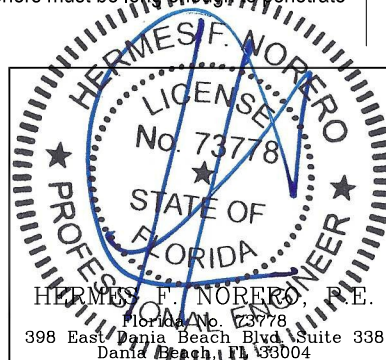
This schedule addresses only the fasteners required to anchor the door to achieve the rated design pressure up to the size limitations noted. It is not intended as a guide to the installation process and does not address the sealing consideration that may arise in different wall conditions. For the complete installation procedure, see the instructions packaged with the door or go to www.jeld-wen.com.

DISCLAIMER:

This drawing and its contents are confidential and are not to be reproduced or copied in whole or in part or used or disclosed to others except as authorized by JELD-WEN Inc.

General Notes:

1. The product shown herein is designed, tested and manufactured to comply with the wind load criteria of the adopted International Building Code (IBC), the International Residential Code (IRC), the current Florida Building Code (FBC) and the industry standard requirement for the stated conditions.
2. Buck, framing and masonry by others and is responsibility of architect or engineer of record.
3. All glazing shall conform to ASTM E1300.
4. At minimum, glazing shall be tempered glass.



DRAWN BY: J.HAWKINS CHECKED BY: C.GRAETSCH APPROVED BY: D.STOKES RECORD No: D004339 REPORT No:	DATE: 06/13/2019	JELD WEN 3737 Lakeport Blvd Klamath Falls, OR. 97601 Phone: (800) 535-3936
	SCALE: NTS	
	TITLE: Siteline or W5500 Clad Quad Sliding Patio Door	
	CAD DWG. No.:	
	REV: A	SHEET